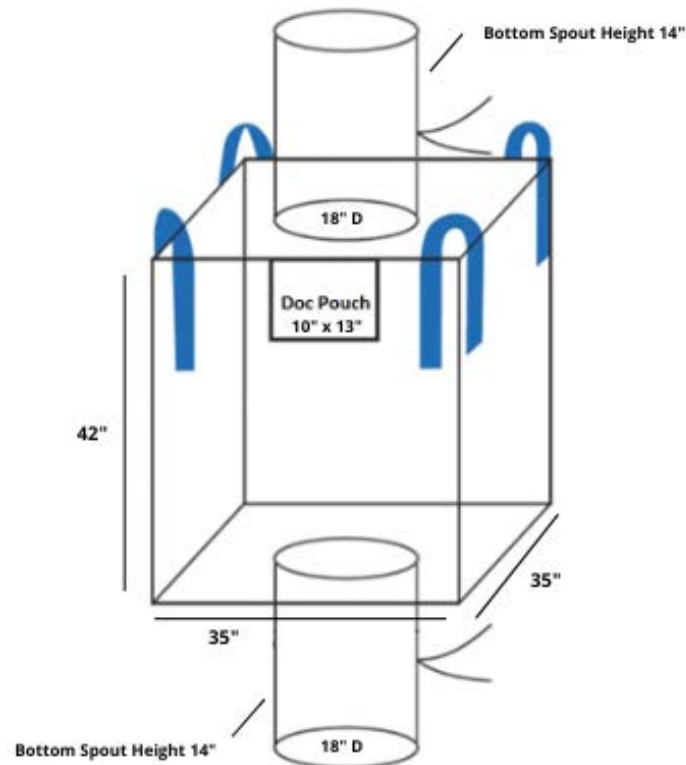


35x35x42 Spout Top Food Grade Line FIBC



BULK BAG SPECIFICATIONS

- Item #: SBBN35x35x42ST-LIN
- Size: 35" x 35" x 42"
- Lift Loops: P.P, White, 2.75" x 10", Cross Corner
- Laminated: No
- Seams: Standard
- Safety Working Load: 2,500lbs.
- Safety Factor: 5:1
- Liner: Yes, Form Fit
- BRC Certified Food Grade: Yes
- Top Construction: Spout Top, "14x 18"
- Bottom Construction: Spout Bottom, 14" x 18"
- Printing: No
- Doc. Pouch: 10"x 13" , Portrait